

## Low Profile Pallet Truck **HPL / HPM** series

◆ Super low pallet: 55/36mm.

Model	HPL20S	HPL20L	HPM10S	HPM10L
Type	Low Profile		Super Low	
Capacity (kg)	2000	2000	1000	1000
Max. Fork Height (mm)	165	165	95	95
Min. Fork Height (mm)	55	55	36	36
Fork Length (mm)	1150	1220	1150	1200
Fork Overall Width (mm)	540	680	540	680
Net Weight (kg)	75	79	70	74

Rollers: Polyurethane  
Wheels: Nylon, Polyurethane, Rubber



## Stainless Pallet Truck **HPS** series Galvanized Pallet Truck **HPG** series

◆ Latest galvanizing technology offers long life span without corrosion (HPG).  
◆ SUS 304/ 316L (HPS).  
◆ Rollers/Wheels: Nylon.



HPG



HPS

Model	HPG20S / HPS20S	HPG20L / HPS20L	HPG25S	HPG25L
Capacity (kg)	2000	2000	2500	2500
Max. Fork Height (mm)	205 (195)	205 (195)	205 (195)	205 (195)
Min. Fork Height (mm)	85 (75)	85 (75)	85 (75)	85 (75)
Fork Length (mm)	1150	1200	1150	1200
Fork Overall Width (mm)	540	680	540	680
Fork Width (mm)	160	160	160	160
Net Weight (kg)	75	78	78	81

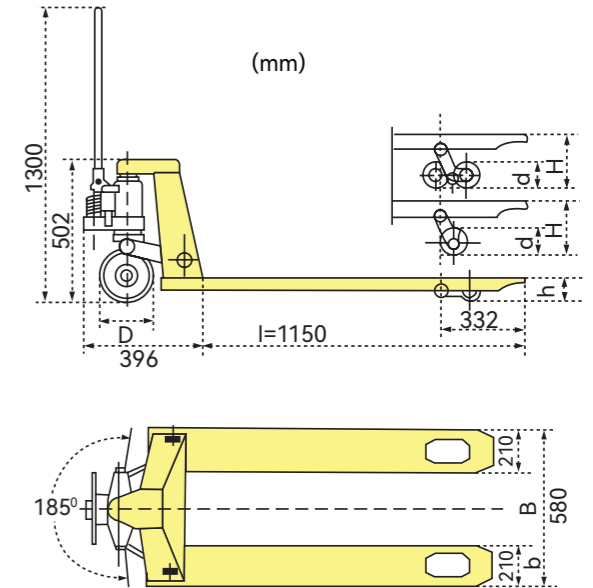
## Stainless Manual Pallet Truck **BF30S** series

Model	BF30S-1	BF30S-2
Size (mm)	685×1220	550×1150
Capacity (kg)	2500/3000	
Wheel Type	PU/RU/Nylon	
Steering Wheels (mm)	200/180×50	
Bearing Wheels	Single (mm)	Ø80×93 - Ø74×93
	Double (mm)	Ø80×70 - Ø74×70
Distance Travelled (mm)	110-115	
Max. Fork Height (mm)	195-200	
Min. Fork Height (mm)	75/85	
Fork Length (mm)	1220	1150



## 5 tonne Pallet Truck **HP50** series

◆ Heavy duty design for moving heavy load.  
◆ Unique hydraulic pump with less effort to lift heavy load easily.



Load roller: d=Ø80×68mm, tandem steel  
Steering wheel: D=Ø200×50mm, steel

Model	HP50S	HP50L
Capacity (kg)	5000	5000
Max. Fork Height H (mm)	200	200
Min. Fork Height h (mm)	90	90
Fork Length l (mm)	1150	1150
Fork Overall Width B (mm)	580	680
Fork Width b (mm)	210	210
Over Size L×W×H (mm)	1546×588×1300	1546×688×1300
Net Weight (kg)	192	198

## Manual Pallet Truck **AC50** series

Model	AC50-1	AC50-2
Size (mm)	685×1220	540×1150
Capacity (kg)	5000	
Wheel Type	Nylon/PU/Iron	
Steering Wheels (mm)	Ø180×50	
Bearing Wheels	Double (mm)	Ø80×70
Distance Travelled (mm)	110-115	
Max. Fork Height (mm)	195-200	
Min. Fork Height (mm)	85	
Fork Length (mm)	1220	1150
Net Weight (kg)	130	122

