

Four Way Pallet Truck **HPF** series

- ◆ Unique 4-directional movement capacity provides the flexibility to maneuver wide loads through standard aisles.
- ◆ An additional set of wheels allows pallet truck to be moved sideways in addition to be the conventional forward and back directions.
- ◆ Move heavy loads, quickly and effortlessly, with convenient hydraulic power and industrial quality features.
- ◆ Trucks are constructed of 4mm thick steel with reinforced fork bracing.
- ◆ Include sealed ball bearings on wheels that are permanently lubed and polyurethane coated.
- ◆ Handle has a cushion grip with a 3-position lever.



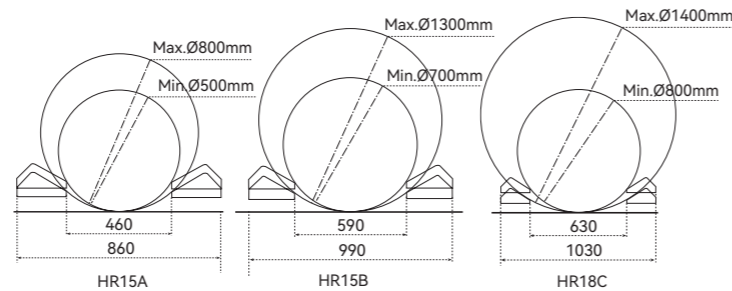
Capacity: 2000kg at fork height from 85 to 175mm.
1200kg at fork height from 185 to 205mm.



Model		HPF12S	HPF12L
Capacity	(kg)	2000/1200	2000/1200
Max. Fork Height	(mm)	205	205
Min. Fork Height	(mm)	85	85
Fork Length	(mm)	1150	1150
Width Overall Forks	(mm)	540	680
Rear Wheel	(mm)	Ø200	Ø200
Net Weight	(kg)	75	78

Roll Pallet Truck **HR** series

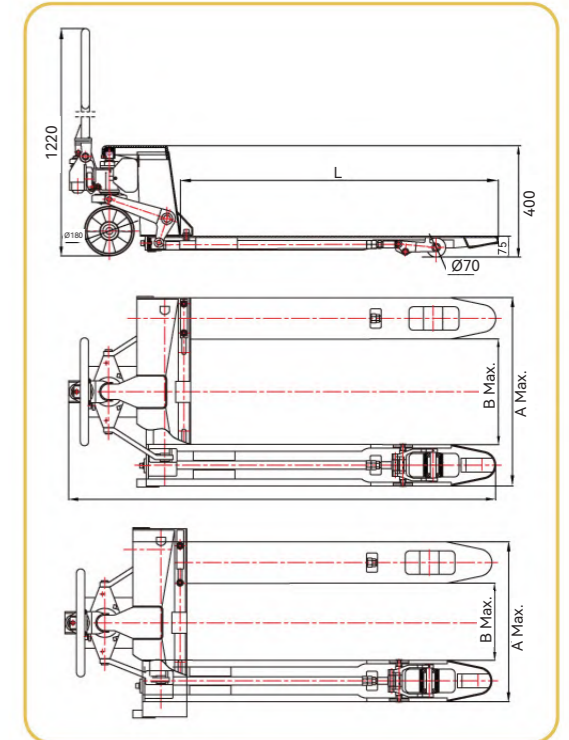
- ◆ For handling roll of paper, carpet, textile or other materials.



Model		HR15A	HR15B	HR18C
Capacity	(kg)	1500	1500	1800
Roll Dia.	(mm)	Ø500-800	Ø700-1300	Ø800-1400
Max. Roll Length	(mm)	1500	1500	1500
Fork Overall Width	(mm)	860	990	1030
Fork Length	(mm)	1350	1350	1350
Rear Wheel	(mm)	Ø200	Ø200	Ø200
Net Weight	(kg)	30	140	155

Fork Adjustable: Hand Pallet Truck **CBG** series

- ◆ Rubber coated handle comfortable even under extreme temperature conditions.
- ◆ Fully sealed hydraulic unit housing.
- ◆ Single valve cartridge for easy maintenance.
- ◆ Powder coated chassis made of high grade steel.
- ◆ Conforms to EN1757-2.



Model		CGB20S	CGB20L	CGB25S	CGB25L
Capacity	(kg/lbs)	2000/4400	2000/4400	2500/5500	2500/5500
Max. Fork Height	(mm/inch)	195/7 ³ / ₄	195/7 ³ / ₄	195/7 ³ / ₄	195/7 ³ / ₄
Min. Fork Height	(mm/inch)	75/3	75/3	75/3	75/3
Fork Length	(mm/inch)	1150/45 ¹ / ₄	1220/48	1150/45 ¹ / ₄	1220/48
Max. Adjustable Fork	(mm)	560	680	560	680
Max. Overall Width	(mm)	260	380	260	380
Fork Width	(mm/inch)	150/6	150/6	150/6	150/6
Front Wheel	(mm/inch)	Ø80×70 or Ø74×70 / Ø3×2 ³ / ₄ or Ø3×2 ³ / ₄			
Steer Wheel	(mm/inch)	Ø200 or Ø180×50 / Ø8×2 or Ø7×2			
Net Weight	(kg/lbs)	75/165	78/172	78/172	81/178