

### Platform Stacker **PS-A** series

**Manual**

- ◆ Robust construction.
- ◆ Hard chromium plated frame.
- ◆ Effortless Movement.
- ◆ Polyurethane rollers with bearing.
- ◆ No-marking castor as standard.
- ◆ Conforms to EN1757-1.

**Electric**

- ◆ High quality hydraulic motor made in Korea.
- ◆ Service free battery.
- ◆ No-marking castor as standard.
- ◆ Conforms to EN1757-1.



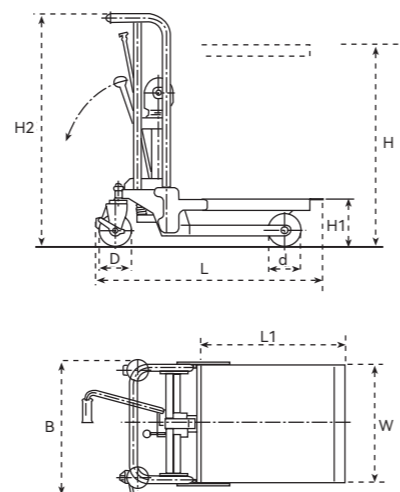
Noise-free Castor as option.



Option Ladder Model:LD100  
Note:Operator must turn two brakes on before step on ladder!



Stainless steel as option



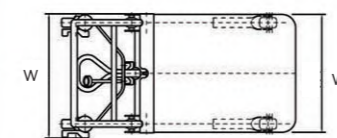
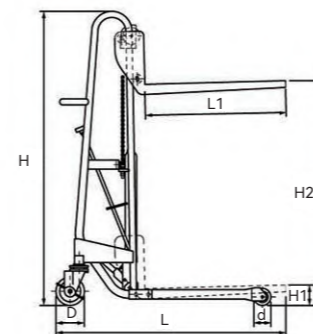
Model	PS2085A	PS2120A	PS4085A	PS4120A	PS4150A
Capacity (kg)	200	200	400	400	400
Platform Height Max. H (mm)	850	1200	850	1200	1500
Platform Height Min. H1 (mm)	200	200	200	200	200
Platform Length L1 (mm)	600	600	650	650	650
Platform Width W (mm)	500	500	550	550	550
Total Length L (mm)	940	940	1040	1040	1040
Total Width B (mm)	560	560	590	590	590
Total Height H2 (mm)	960	1310	970	1310	1610
Steering Rollers-Diameter D (mm)	Ø125	Ø125	Ø150	Ø150	Ø150
Frame Rollers-Diameter d (mm)	Ø75	Ø75	Ø75	Ø75	Ø75
Pump Strokes to Max. Height	14	21	30	45	58
Net Weight (kg)	53	58	72	78	83
Noise-free Castor	0	0	0	0	0

0 = Option

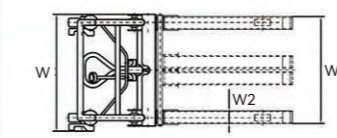
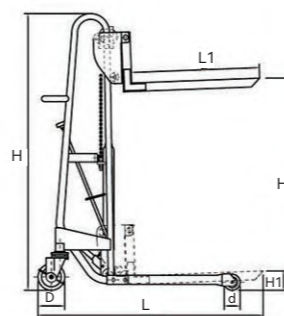
### Adjustable Fork: Stacker **NS / NF** series

**Quick lifting, highly maneuverable!**

- ◆ A range of highly maneuverable, lightweight lifts, designed to take the strain out of any lifting job from ground level to over shoulder height.
- ◆ Heavy duty design.
- ◆ Ideal for use in narrow aisles and confined spaces. Perfect for all applications from pharmaceutical to catering, from packing line to food processing, from warehouse to office, kitchens, laboratories, retail outlets, etc...
- ◆ Quick lift pump by a pedal provides high efficiency.
- ◆ Non-marking castor as standard.
- ◆ Conforms to EN1757.



NS4012A



NF4012 Adjustable Fork



Model		NS2094	NS2010	NS4012	NS4012B	NF2094	NF4012
Capacity (kg)		200	200	400	400	200	400
Max. Platform Height H2 (mm)		940	1010	1210	1270	940	1210
Min. Platform Height H1 (mm)		80	150	90	150	90	90
Platform Length L1 (mm)		620	620	670	670	-	-
Platform Width W1 (mm)		520	520	590	590	-	-
Fork Length L1 (mm)		-	-	-	-	600	700
Single Fork Width W2 (mm)		-	-	-	-	60	90
Adjustable Fork Width W1 (mm)		-	-	-	-	130-514	190-572
Total Width W (mm)		560	560	620	620	560	620
Total Length L (mm)		1087	1087	1190	1190	1097	1270
Total Height H (mm)		1290	1315	1610	1635	1290	1610
Steering Rollers Dia. D (mm)		125	125	125	125	125	125
Frame Rollers Dia. d (mm)		75	125	75	125	75	75
Pump Strokes to Max. Height	Full Load	29	29	63	63	29	63
	No Load	29	29	20	20	29	20
Net Weight (kg)		56	58	81	83	55	82

Quick lift available for NS2094, NS2010, NF2094 on inquiry.