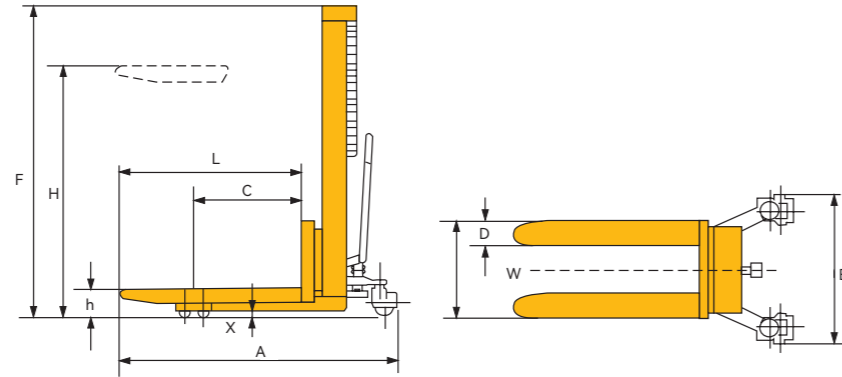


Hand Stacker PA / PZ series

- ◆ Latest technology of hydraulic pump with less effort force.
Top quality German seal kit.
- ◆ Option adjustable forks for wider applications.
- ◆ PZ series is economic range but reliable.
- ◆ Conforms to EN1757-1.



Footpedal Lifting as option



PA
Mast made from H-section steel



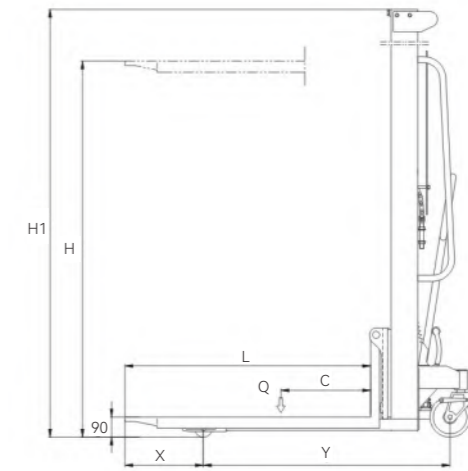
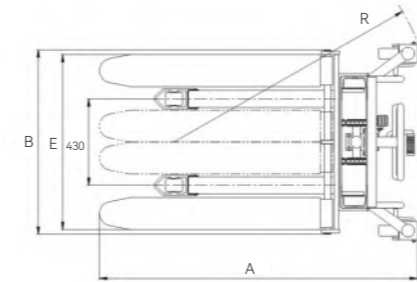
PZ1015
Mast made from U-Steel

Model		PA0515	PA1015	PA1025	PA1515	PA2015	PZ1015	PZ1515	PZ2015
Capacity	(kg)	500	1000	1000	1500	2000	1000	1500	2000
Load Center	C (mm)	585	585	585	585	500	500	500	500
Max. Fork Height	H (mm)	1500	1500	2500	1500	1500	1500	1500	1500
Lowered Fork Height	h (mm)	88	88	88	88	88	80	85	85
Fork Length	L (mm)	1150	1150	1150	1150	1150	1150	1150	1150
Fork Width	D (mm)	160	160	160	150	150	100	120	120
Overall Fork Width	W (mm)	540	540	540	346-710	346-710	224-730	252-900	252-900
Ground Clearance	X (mm)	24	24	24	24	24	23	24	24
Min. Turning Radius (outside)	(mm)	1086	1086	1086	1100	1100	1250	1350	1350
Front Load Roller	(mm)	Ø80×70	Ø80×70	Ø80×70	Ø80×70	Ø80×70	Ø80×43	Ø80×70	Ø80×70
Steering Wheel	(mm)	Ø150×40	Ø150×50	Ø150×50	Ø180×50	Ø180×50	Ø180×50	Ø180×50	Ø180×50
Overall Length	A (mm)	1604	1604	1604	1739	1759	1660	1715	1765
Overall Width	B (mm)	794	760	760	800	800	700	940	940
Overall Height	F (mm)	2010	2010	1960	1977	1977	1998	1980	1980
Net Weight	(kg)	210	220	330	250	280	180	252	284

Option adjustable fork available: 346-710mm fork width on PA series.

Hand Stacker PMS series

- ◆ Latest technology of hydraulic pump with less effort force.
Top quality German seal kit.
- ◆ Option adjustable forks for wider applications.
- ◆ PZ series is economic range but reliable.
- ◆ Conforms to EN1757-1.



Model		PMS1016	PMS2016	PMS1020	PMS1025	PMS1030
Capacity	(kg)	1000	2000		1000	
Load Center	(mm)		400		400	
Min. Fork Height	(mm)		90		90	
Max. Fork Height	H (mm)		1600	2000	2500	3000
Fork Length	L (mm)		1150		1150	
Fork Width	E (mm)	300-850	320-850	300-850	320-850	320-850
Min. Turning Radius	R (mm)		1250		1250	
Wheel Base	Y (mm)		1100		1100	
Front Wheel Distance	X (mm)		178		210	
Overall Length	A (mm)		1530		1490	
Overall Width	B (mm)		850		850	
Overall Height	H1 (mm)		2100	1560	1810	2060
Net Weight	(kg)	255	290	340	355	370