

## Semi-Electric Hydraulic Forklift Stacker **MS / MXS** series

- ◆ Heavy duty design and top quality mast construction;
- ◆ Imported pump station provides a smooth lifting;
- ◆ High quality maintenance-free battery, save maintenance time and cost, battery notifer and low voltage alarm lamp;
- ◆ Light and easy manual steering system;
- ◆ Safety guard on load roller and steering wheel;
- ◆ Steel pallet fork is made of whole stamping forming;
- ◆ Conforms to EN1757-1:2001 European standard.



MS1016



MXS1016  
(Support Legs can be retractable)

Model		MS1016	MXS1016
Type	(kg)	Standard	Standard
Rated Load Capacity	(mm)	1000	1000
Load Center	(mm)	600	600
Min. / Max. Fork Height	(mm)	90/1600	90/1600
Max. Working Height	(mm)	2130	2130
Fork Length	(mm)	1000	1000
Fork Width	(mm)	970	970
Single Fork Width	(mm)	120	120
Lifting Speed (loaded/unloaded)	(mm/s)	70/120	70/120
Pump Station Power	(kw/v)	1.5/12	1.5/12
Front Wheel Size (nylon)	(mm)	Ø80×55	Ø80×55
Rear Wheel Size (nylon)	(mm)	Ø150×50	Ø150×50
Min. Turning Radius	(mm)	1950	1950
Battery	(Ah/V)	120/12	120/12
Overall Size	L×W×H (mm)	1700×1000×2070	1700×1000×2070
Inner Width of Front Leg	(mm)	-	934-1270
Adjustable Fork Range	(mm)	-	216-790
Net Weight	(kg)	324	362

## Lateral Pallet Tilter **LT0892**

- ◆ Designed to give the user an ergonomically correct position to reach loads easily without bending down or stretching up.
- ◆ Forks can be tilted up to 20° both left and right sides by thread.
- ◆ Supplied as standard with parking brake and foot protectors.
- ◆ Conforms to EN1757-1.

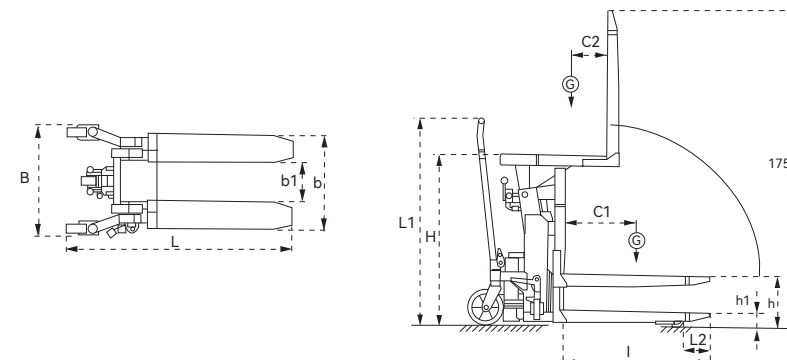
Model		LT0892
Capacity	(kg)	800
Max. Fork Height	(mm)	920
Min. Fork Height	(mm)	88
Fork Length	(mm)	1150
Fork Width	(mm)	150
Width Over Forks	(mm)	540
Tiltable Degree		Left or right 20°
Net Weight	(kg)	210



## Pallet Tilter **LT** series

Manual and Electric Version.

- ◆ Designed to give the user an ergonomically correct position to reach loads easily without the necessity of bending down or stretching up.
- ◆ Handle can be turned and locked in position away from the work area.
- ◆ Applies to both sitting and standing positions.
- ◆ Forks can be tilted up to 90°.
- ◆ Both are supplied as standard with parking brake and foot protectors.
- ◆ Conforms to EN1757-1 and EN1175-1.



LT10M

Model		LT10M	LT10E
Type		Manual	Electric
Capacity	(kg)	1000	1000
Lifting Height, Vertical	h (mm)	285	285
Min. Fork Height	h1 (mm)	85	85
Fork Length	l (mm)	800	800
Handle Height	L1 (mm)	1138	1138
Overall Fork Width	b (mm)	560	560
Width Between Forks	b1 (mm)	320	320
Fork Tip Length From Roller	L2 (mm)	135	135
Overall Width	B (mm)	638	638
Overall Length	L (mm)	1325	1410
Overall Height, Raised	H (mm)	950	950
Overall Height, Lowered	H (mm)	750	750
Load Center Min. / Max.	C1 (mm)	200/400	200/400
Load Center Min. / Max.	C2 (mm)	200/420	200/420
Power Unit	(KW/V)	-	0.8/12
Net Weight	(kg)	178	185



LT10E