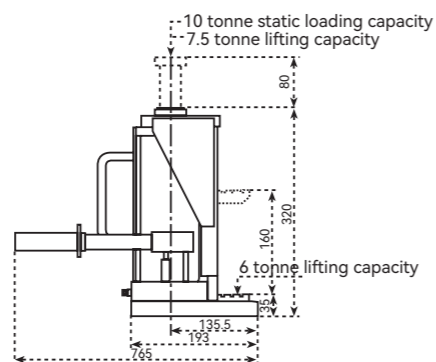
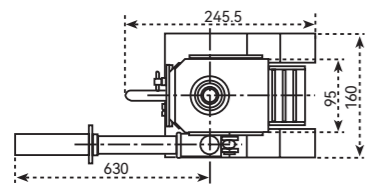


Machinery Jack TB100

Professional class

- ◆ Conforms to CE safety standard.



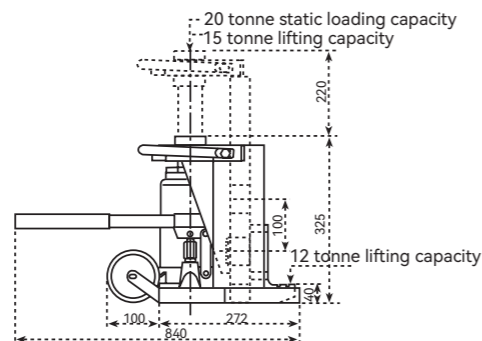
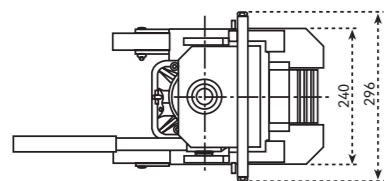
TB100

Static loading capacity on top 10 tonne

Model	Lifting Capacity		Lifting Stroke	Lifting Range of Top	Min. Loading Height Using Lifting Toe	Lifting Range of toe	Lifting Range of toe	Net Weight
	on top	on toe						
TB100	7.5 tonne	6 tonne	160mm	320-560 mm	35 mm	160 mm	35-195 mm	25 kg

Machinery Jack TB200

Professional class



TB200

Static loading capacity on top 20 tonne

Model	Lifting Capacity		Lifting Stroke	Lifting Range of Top	Min. Loading Height Using Lifting Toe	Lifting Range of toe	Net Weight
	on top	on toe					
TB200	15 tonne	12 tonne	140mm	325-545 mm	40 mm	40-260 mm	69 kg

Toe Jack TG series

Professional class

- ◆ Super low profile lifting toe.
- ◆ Adjustable Lifting toe.
- ◆ Heavy duty structure.

TG30



TG80

Model	TG30	TG80
Capacity (tonne)	3	8
Lifting Stroke (mm)	140	140
Min. Toe Height (mm)	15	20
Lifting Range (mm)	15-155	20-160
Net Weight (kg)	21.5	28

Hand Pumps TN series

- ◆ Lightweight and compact design.
- ◆ Two-speed operation to reduce handle strokes.
- ◆ Integral 4-way valve on SBZ50S for operation of double-acting cylinders.
- ◆ Large oil capacities to power a wide variety of cylinders and tools.
- ◆ Internal pressure relief valve for overload protection.



Pump Type		Usable Oil Capacity (cm ³)	Pressure Rating (Mpa)	Stroke (mm)	Cylinder Effective Area (cm ²)	Oil Displacement Per Stroke (cm ³)	Max. Effort (kgf)	Outlet (Spec.)	Net Weight (kg)
TN50	-	820	68.8	20	1.53	3.08	58	3/8NPTF	4
TN50S	Quick speed	820	1.4	20	6.15	12.3	58	3/8NPTF	4
	Low speed	820	68.8	20	1.53	3.08	58	3/8NPTF	4

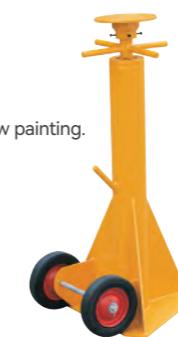
Trailer Stabilizer Jacks TJ series

A "must" for safely loading and unloading trailers!

- ◆ Meet OSHA Specification with our wide variety of Trailer Stabilizing Jacks OSHA 1910.178(k)(3) states "Fixed jacks may be necessary to support a semi-trailer and prevent upending during the loading or unloading when the trailer is not coupled to a tractor".

A. Spin-Top Jacks

- ◆ ACME threaded screw design.
- ◆ Reflective collar and safety yellow painting.



Model	TJ40	TJ40A
Service Range (inch)	39 1/2 - 51	39 1/2 - 51
Static Capacity (lbs/ tonne)	100000/45	100000/45
Lifting Capacity (lbs/ tonne)	40000/18	50000/22.7
Cap Size	7 1/2" diameter	7 1/2" diameter
Base Plate	15" triangular	15" triangular
Wheel Dia.	10" solid rubber	10" solid rubber
Net Weight (lbs/ kg)	110/50	125/57

B. Trailer stabilizing Jacks

- ◆ Ratchet screw design, reversible.
- ◆ Reflective collar and safety yellow painting.

Model	TJ50	TJ50A	TJ50B	TJ50C	TJ50D
Service Range (inch)	39 1/2 - 51	39-51	39-51	45-57	45-57
Static Capacity (lbs/tonne)	100000/45	100000/45	100000/45	80000/36	100000/45
Lifting Capacity (lbs/tonne)	40000/18	40000/18	50000/22.7	40000/18	40000/18
Cap Size	8" diameter	7 1/2" diameter	8" diameter	8" diameter	8" diameter
Base Plate	14" diameter	16" triangular	16" triangular	16" triangular	16" triangular
Wheel Dia.	10" semi-pneumatic	10" solid rubber	10" solid rubber	10" solid rubber	10" solid rubber
Net Weight (lbs/kg)	125/57	110/50	125/57	115/52	130/59



TJ50