

Adjustable Skates CM series

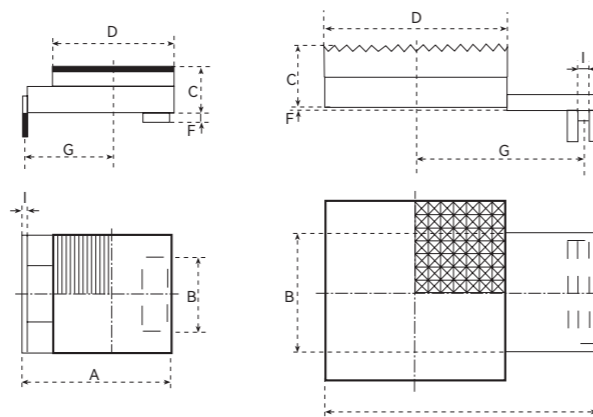
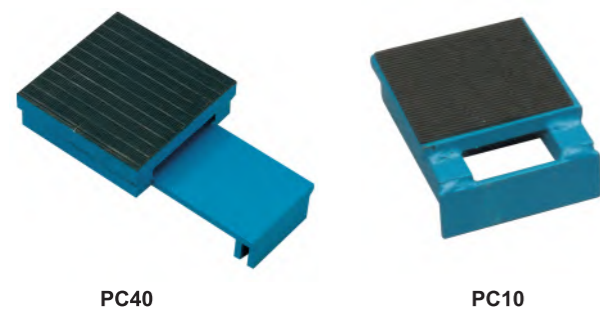
◆ The adjustable skates are actually 2 skates each, they are connected by two steel rods making one skate adjustable from 500mm to 1400mm (model CM60) and 720mm to 1500mm (model CM120 and CM240).



Model		CM60	CM120	CM240
Capacity	(tonne)	6	12	24
Type of Roller		nylon	nylon	steel
No. of Roller	(pcs)	8	12	16
Skate Dimensions	L×W×H (mm)	300×250×115	360×220×115	360×220×115
Net Weight	(kg)	30	38	65

Packing Plate PC series

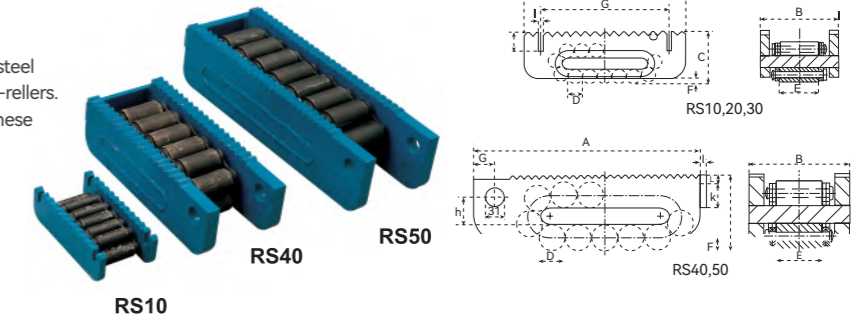
◆ Packing plate for compensating the difference in height between skates with turntable and the one without turntable.



Model	A	B	C	D	F	G	I	N.W. (kg)
PC10	153	74	37	120	8	88	5	3.7
PC20	153	86	37	120	8	88	5	3.7
PC30	175	95	45	130	8	105	5	5.3
PC40	270	114	61	180	3	165	11	13.8
PC50	350	128	61	200	3	235	11	18.8

Roller Skates RS series

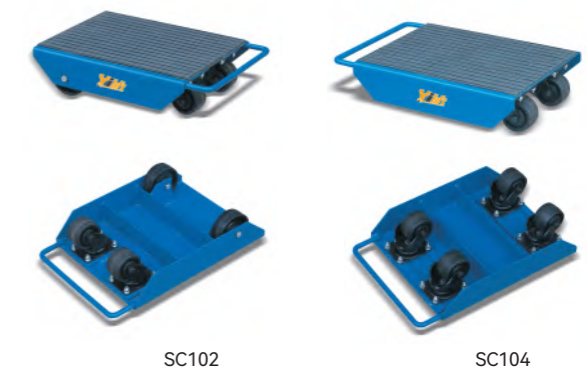
- ◆ Stable, rugged and low level construction.
- ◆ All maximum carrying capacities are based for use on a steel surface, which withstands the high pressure of the chain-rollers.
- ◆ The movement on tarmac and concrete is restricted. In these cases, a steel plate of a minimum of 10mm thickness is recommended.
- ◆ Moving speed net to be exceed 5m/min.



Model	A	B	C	D	E	F	G	H	I	K	L	Rollers under stress	No. of Rollers	Cap. (tonne)	N.W. (kg)
RS10	206	100	67	18	51	7	166	-	8	26	-	5	15	10	5.2
RS20	216	112	74	24	58	11	178	-	8	26	-	4	13	15	7.3
RS30	268	127	91	30	66	13	218	-	8	26	-	4	13	30	13
RS40	380	168	125	42	76	16	36	48	10	40	15	4	13	60	32.0
RS50	530	182	145	50	86	19	36	60	10	40	15	6	17	80	61.0

Skates with Castor SC series

Model		SC102	SC104
Capacity	(tonne)	1	1
No. of Castor	(pcs)	2	4
No. of Fixed Roller	(pcs)	2	0
Roller Size	Ø×W (mm)	Castor Ø75×46 Roller Ø100×35	Castor Ø75×46 -
Skate Dimensions	L×W×H (mm)	430×340×120	430×340×120
Skate Weight	(kg)	13	14



Skates Fixed Type SF series



Model		SF10	SF20	SF25	SF30	SF60
Capacity	(tonne)	1	2	2.5	3	6
No. of Roller	(pcs)	4	8	2	4	6
No. of Axle	((pcs)	2	2	2	2	3
Roller Size	Ø×W (mm)	Ø100×35	Ø100×35	Ø85×90	Ø85×85	Ø 85×85
Skate Dimensions	L×W×H (mm)	330×220×120	330×220×120	210×100×105	330×300×120	260×230×105
Skate Weight	(kg)	7	8	4	9.5	12