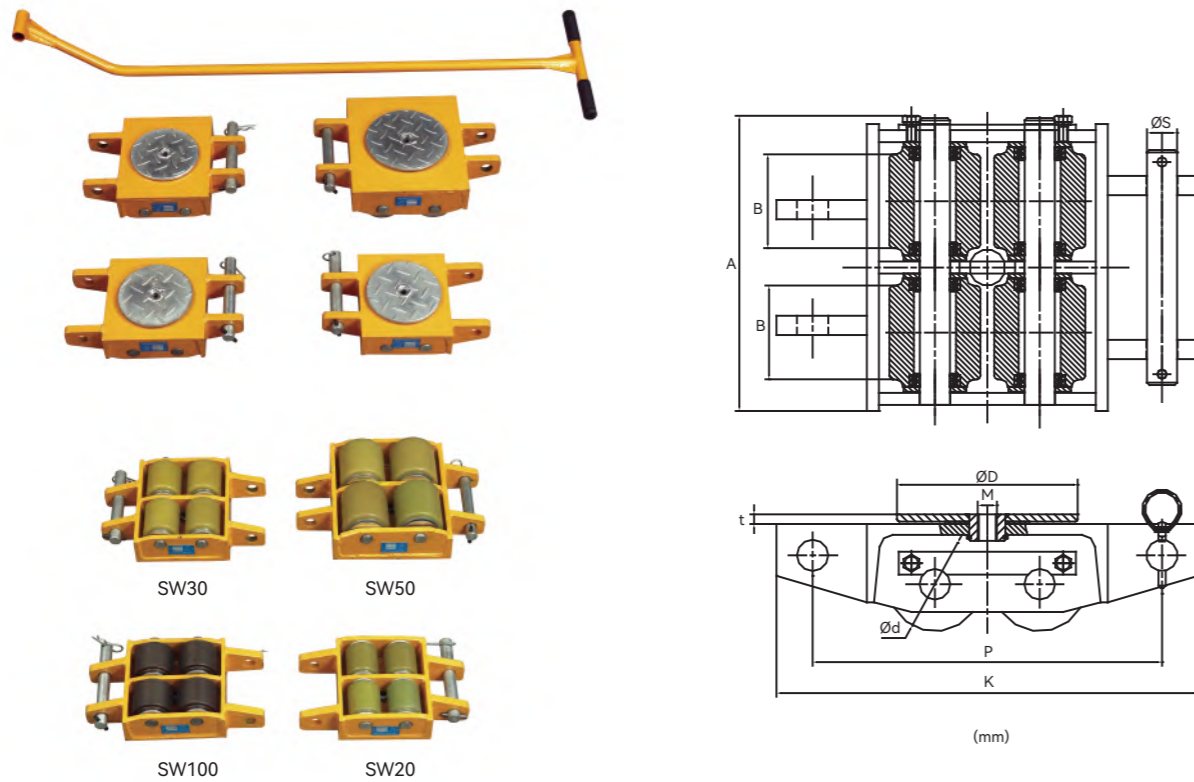


Skates

- ◆ Shifting skates can be used wherever heavy objects have to be moved.
- ◆ The Load can be lifted using either the roller crowbar or a jack, allowing the skates to be easily positioned.
- ◆ The large diameter sealed nylon rollers ensure ease of movement and spread the load, protecting high quality floors from damage by high point loads and oil/grease contamination.
- ◆ The skates are maintenance free and are fitted with handles for ease of carrying and positioning. The platforms of the skates are fitted with a rubber surface which helps stability and protect the object being moved.

Skates Fixed Type SW series

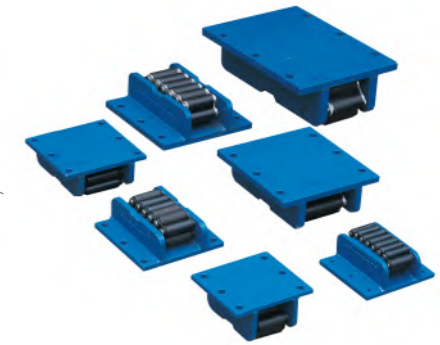


Model		SW20	SW30	SW50	SW80	SW100
Max. Capacity	(tonne)	2	3	5	8	10
Net Weight	(kg)	13	17	32	42	20
Running Resistance	Steel Road Surface	0.05	0.05	0.05	0.05	0.03
	Concrete Road Surface	0.07	0.07	0.07	0.07	0.07
Frame	A (mm)	214	224	284	344	204
	K (mm)	330	350	400	460	350
	P (mm)	270	290	340	400	290
	H (mm)	84	94	124	144	99
	g (mm)	15	14	29	34	19
	ØS (mm)		26	26	26	31
Roller	Type	Urethane	Urethane	Urethane	Urethane	Steel
	(Pcs)	4	4	4	4	4
	Ød (mm)	65	75	100	120	78
	B (mm)	75	90	110	140	70
Turn Table	ØD (mm)	150	150	180	240	150
	t (mm)	6	6	9	9	6
	M (mm)	M16	M16	M20	M20	M16

Handle as option.

Roller Skates VA series

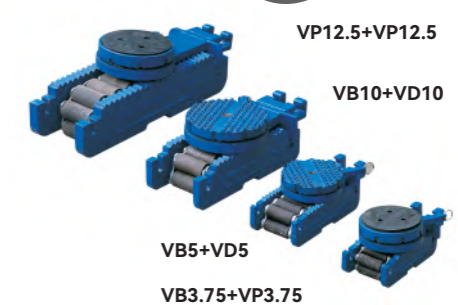
- ◆ Ideal for linear motion, repetitive movement, or use as a built-in component in equipment.
- ◆ Rollers are built for long life and a wide range.
- ◆ Rollers have a fixed hole pattern for bolt-mounting.
- ◆ Rollers can be used right side up, inverted, or on their side.



Model	Capacity (tonne)	Size of Roller ØxL (mm)	Number of Roller (pcs)	Dimensions LxWxH (mm)	Net Weight (kg)
VA0.75	0.75	17x51	16	165x178x79	5
VA2.5	2.5	24x62	12	165x178x92	10
VA5	5	24x62	13	203x203x79	10
VA8	8	24x84	13	203x203x79	11
VA15	15	30x70	14	270x254x98	21
VA20	20	30x102	14	270x254x98	22
VA50	50	41x89	20	417x305x140	67

Roller Skates VB / VD / VP series

- ◆ Low profile rollers suit for wide range of operating condition.
- ◆ Each has a respective swivel attachment to provide turning and positioning capability.
- ◆ Two types swivel top are available: VD-Diamond top, VP-Rubber pad top.



Model	Capacity (tonne)	Size of Roller ØxL (mm)	Number of Roller (pcs)	Dimensions LxWxH (mm)	Net Weight (kg)
VB3.75	3.75	24x62	13	219x117x70	7
VB5	5	24x84	13	219x140x70	9
VB10	10	30x70	14	264x133x86	13
VB12.5	12.5	30x80	14	264x143x86	14
VB25	25	41x89	14	397x171x121	36
VB65	65	49x92	17	584x191x143	71

Swivel Attachment: VD-Diamond top, VP-Rubber pad top

Model	Model	Height (combined with roller)Length (mm)	Width (mm)	Net Weight (mm)	(kg)
VB3.75	VP3.75	113	132	283	6
VB5	VP5	113	132	283	6
VB10	VP10	129	148	324	7
VB12.5	VP12.5	129	148	324	7
VB25	VP25	181	189	457	18
VB65	VP65	203	222	641	21