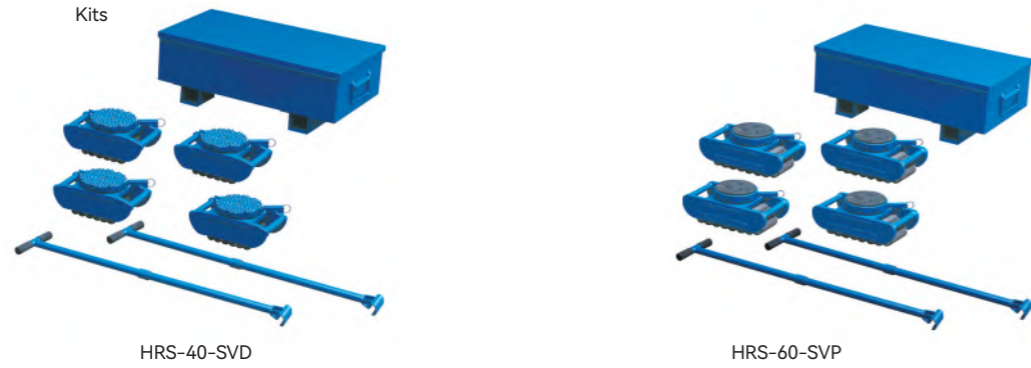


Roller Skates HRS series

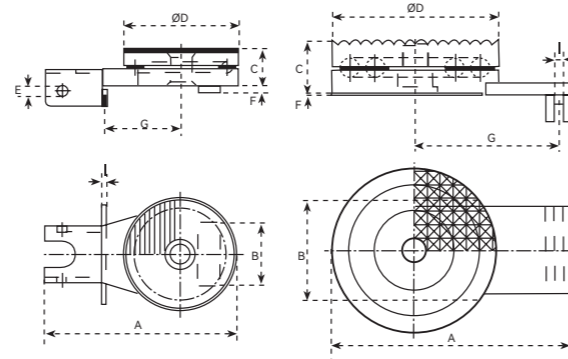
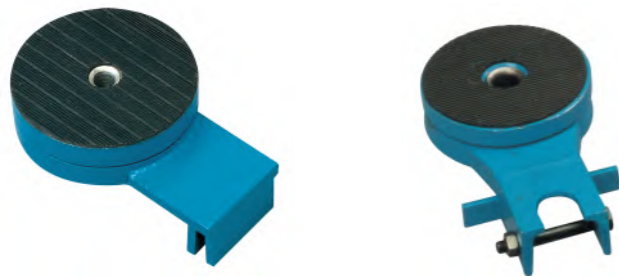
- ◆ Rollers have rigid chain of steel rolls rotating around a central load plate in the frame.
- ◆ Rollers have built-in tops with swivel locking, SVD D-Diamond steel top, SVD P-Rubber pad top.
- ◆ A full prepackaged kits and sets are also available.
- ◆ Sets and kits contain four swivel locking style rollers and two full length steering handles.



Model	Capacity(tonne)	Kits Include	Net Weight(kg)
HRS-15-SVP	15	Four SVD3.75, Two steering handle, One metal box	84
HRS-15-SVD	15	Four SVD3.75, Two steering handle, One metal box	84
HRS-40-SVP	40	Four SVD10, Two steering handle, One metal box	92
HRS-40-SVD	40	Four SVD10, Two steering handle, One metal box	88
HRS-60-SVP	60	Four SVD15, Two steering handle, One metal box	108
HRS-60-SVD	60	Four SVD15, Two steering handle, One metal box	108

Turn Table TR series

- ◆ Turntable are to be placed on top, handle must to be attached.
- ◆ Holding while roller skate is moving, minimum turning circle is 3m.

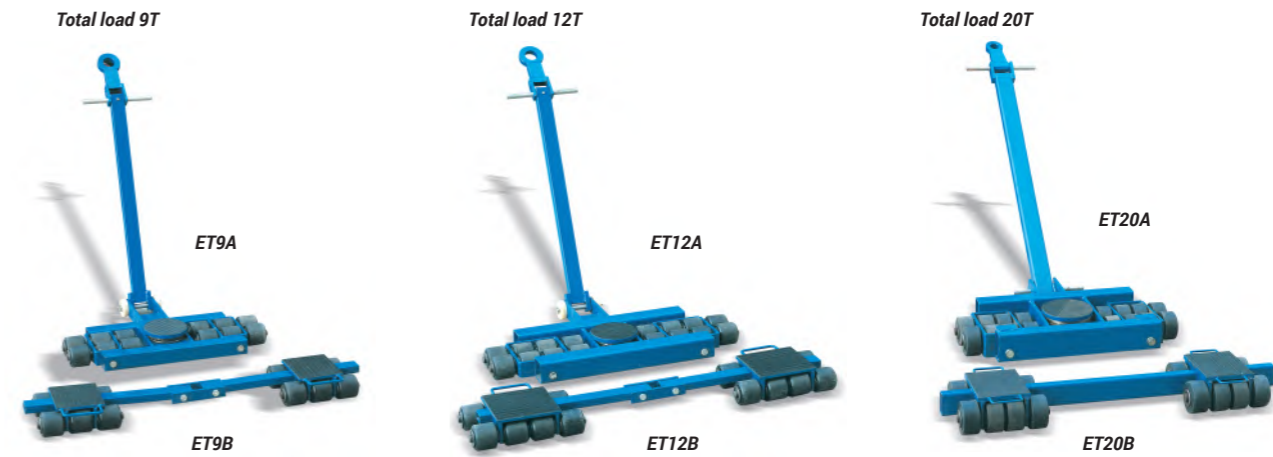
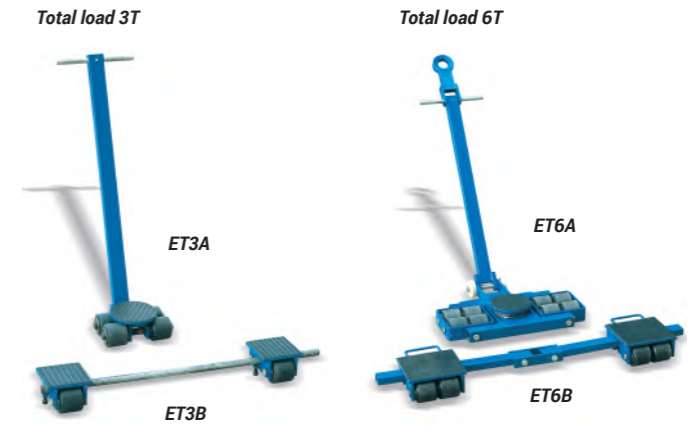


Model	A	B	C	ØD	E	F	G	I	N.W. (kg)
TR10	220	74	41	128	11	8	88	5	4.5
TR20	220	86	41	128	11	8	88	5	4.5
TR30	250	95	46	150	11	8	105	5	6.7
TR40	275	114	64	190	-	3	165	11	13.7
TR50	360	128	64	220	-	3	235	11	18.9

Steerable Skates ET series

Professional class

- ◆ You can get smooth running on the HU-LIFT ET series skates.
- ◆ Skates are available in two versions type A&B.
- ◆ Type A can be steerable, Type B can be laterally adjustable.
- ◆ Power coated give a high quality durable finish.



Model		ET3A	ET6A	ET9A	ET12A	ET20A
Capacity	(tonne)	3	6	9	12	20
Loading Height	(mm)	110	110	110	110	180
Roller Size	(mm)	Ø85×85	Ø85×85	Ø85×85	Ø85×85	Ø140×85
Number of Roller	(pcs)	4	8	12	16	16
Dia. of 180° Rotating Platform	(mm)	Ø170	Ø170	Ø170	Ø170	Ø250
Dimensions	L×W (mm)	270×230	610×520	815×600	990×600	1090×730
Length of Handlebar (with pulling eye)	(mm)	960	1080	1080	1080	1620
Net Weight	(kg)	15	45	56	73	188

Model		ET3B	ET6B	ET9B	ET12B	ET20B
Capacity	(tonne)	3	6	9	12	20
Load Height	(mm)	110	110	110	110	180
Roller size	(mm)	Ø85×85	Ø85×85	Ø85×85	Ø85×85	Ø140×85
Number of Roller	(pcs)	4	8	12	16	16
Dimensions of Load Bearing Area	(mm)	150×150	200×220	180×170	200×220	280×220
Range of Connecting Rod Adjustable	(mm)	960	1080	1080	1080	1620
Net Weight	(kg)	16	32	34	45	95