

Truck Ramps **KCQ** series

- ◆ Easy to use.
- ◆ Non-slip running surface.
- ◆ Two fixed castor for easy handling.



Model	Capacity (t)	Height (mm)	Width (mm)	Length (mm)	Net Weight (kg)	Wheel (mm)
KCQ201	20	242	343	1197	49	2×Ø125
KCQ202	20	242	454	1197	63	2×Ø125

Manual Furniture Mover **FM50/60 / FAM60**

- ◆ Safety operated by one person.
- ◆ Robust lifting mechanism.
- ◆ Sold in one set only.



Model		FM50	FAM60	FM60
Load Capacity	(kg)	500	600	600
Lifting Height	(mm)	320	320	300
Lifting Plate	W×D (mm)	225×120	225×120	225×120
Wheel, Polyurethane	(mm)	Ø125	Ø125	Ø125
Overall Size	L×W×H (mm)	510×440×845	510×440×845	570×390×780
Net Weight	(kg)	20	21	25

Manual Furniture Mover **FM180** series

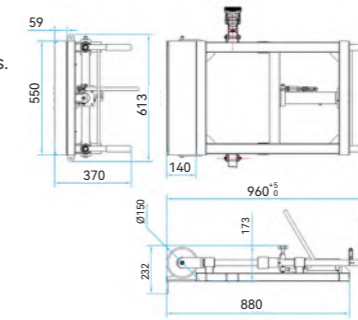
- ◆ Safety operated by one person.
- ◆ Robust lifting mechanism.
- ◆ Sold in one set only.



Model		FM180A	FM180B	FM180BN
Load Capacity	(kg)	1800	1800	1800
Lifting Height	(mm)	100	250	250
Lifting Plate	W×D (mm)	600×60	600×60	600×60
Wheel, Polyurethane	(mm)	Ø150	Ø150	Ø150
Overall Size	L×W×H (mm)	680×420×1000	680×420×1070	680×420×1070
Net Weight	(kg)	80	86	86

Equipment Mover **FM200**

- ◆ For professional transport of heavyweight items.
- ◆ Ideal for delivery, removal, maintenance and assembly applications.
- ◆ For switch cupboards, safes, containers and machinery.
- ◆ Sold in 2 pcs/one set only.



Model	FM200
Type	Manual Hydraulic
Capacity	(kg) 2000
Lifting Plate Size	(mm) 550×59
Lifting Height	(mm) 200
Caster	(mm) PU,Rigid Wheel 150mm, 4PCS
Net Weight/Pair	(kg) 80

Equipment Mover **FM** series

- ◆ For professional transport of heavyweight items.
- ◆ Ideal for delivery, removal, maintenance and assembly applications.
- ◆ For switch cupboards, safes, containers and machinery.
- ◆ Sold in 2 pcs/one set only.



FM90-1 FM270-1 FM360-1 FM450-1 FM270-4

Model	FM90-1	FM90-2	FM180-2	FM180-3
Type	Hydraulic	Hydraulic	Hydraulic	Hydraulic
Capacity	(kg) 900	900	1800	1800
Lifting Height	(mm) 127	127	305	305
Wheels, Polyurethane	(mm) Phenolic PU, Swivel Ø125×50, 4PCS	PU, Swivel Ø125×50, 4PCS	Steel PU, Swivel Ø150×50, 4PCS	PU, Swivel Ø150×50, 4PCS
Net Weight	(kg) 73	75	143	142

Model	FM270-1	FM270-2	FM270-3	FM270-4	FM360-1	FM450-1	FM450-2
Type	Hydraulic	Hydraulic	Hydraulic	Hydraulic	Hydraulic	Hydraulic	Hydraulic
Capacity	(kg) 2700	2700	2700	2700	3600	4500	4500
Lifting Height	(mm) 150	150	305	305	150	150	150
Wheels, Polyurethane	Steel PU, Swivel Ø150×65, 4PCS	PU, Swivel Ø150×65, 4PCS	Steel PU, Swive Ø150×65, 4PCS	PU, Swivel Ø150×65, 4PCS	Steel PU, Swivel Ø200×65, 4PCS	Steel PU, Swivel Ø200×65, 4PCS	PU, Swivel Ø200×75, 4PCS
Net Weight	(kg) 148	141	164	164	182	220	218